

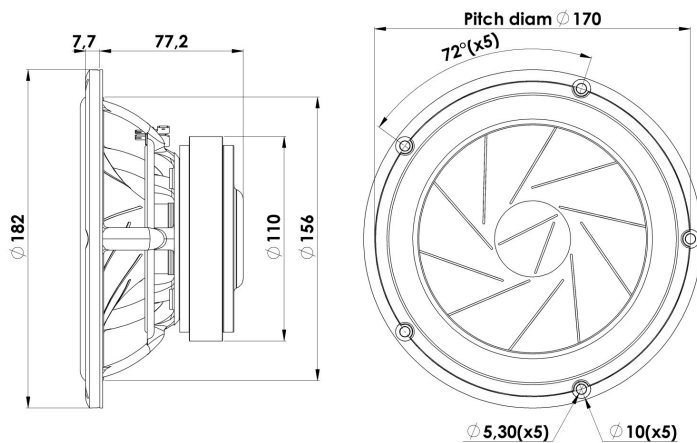


REVELATOR

MIDRANGE

18M/8631T00

The Revelator midranges are well known for their sliced paper cone technology. The slices are filled with damping glue which dramatically reduces break-up modes in the diaphragm. In combination with Scan-Speaks low-loss linear suspension and the patented Symmetrical Drive (SD-1) it represents a breakthrough in midrange clarity and overall smooth frequency response characteristics.



KEY FEATURES:

- Patented Symmetrical Drive motor design
- Coated Foam Surround
- High Sensitivity 89dB @ 2,83V
- Low-loss Linear Suspension
- Sliced Cone (Control Cone Breakups)
- Rigid Titanium Voice Coil Former

T-S Parameters

Resonance frequency [fs]	65 Hz
Mechanical Q factor [Qms]	5.24
Electrical Q factor [Qes]	0.82
Total Q factor [Qts]	0.71
Force factor [Bl]	6.5 Tm
Mechanical resistance [Rms]	1.11 kg/s
Moving mass [Mms]	14.2 g
Compliance [Cms]	0.42 mm/N
Effective diaph. diameter [D]	138 mm
Effective piston area [Sd]	154 cm ²
Equivalent volume [Vas]	14 l
Sensitivity (2.83V/1m)	89 dB
Ratio Bl/√Re	2.66 N/√W
Ratio fs/Qts	91.63 Hz

Notes:

IEC specs. refer to IEC 60268-5 third edition.
All Scan-Speak products are RoHS compliant.
Data are subject to change without notice.
Datasheet updated: May 16. 2017

Electrical Data

Nominal impedance [Zn]	8 Ω
Minimum impedance [Zmin]	6.3 Ω
Maximum impedance [Zo]	39.7 Ω
DC resistance [Re]	6.0 Ω
Voice coil inductance [Le]	0.22 mH

Power Handling

100h RMS noise test (IEC 17.1)*	120 W
Long-term max power (IEC 17.3)*	250 W

*Filter: 2. order HP Butterworth, 100 Hz

Voice Coil & Magnet Data

Voice coil diameter	37.4 mm
Voice coil height	10.9 mm
Voice coil layers	2
Height of gap	5 mm
Linear excursion	± 3 mm
Max mech. excursion	± 14.5 mm
Unit weight	1.7 kg

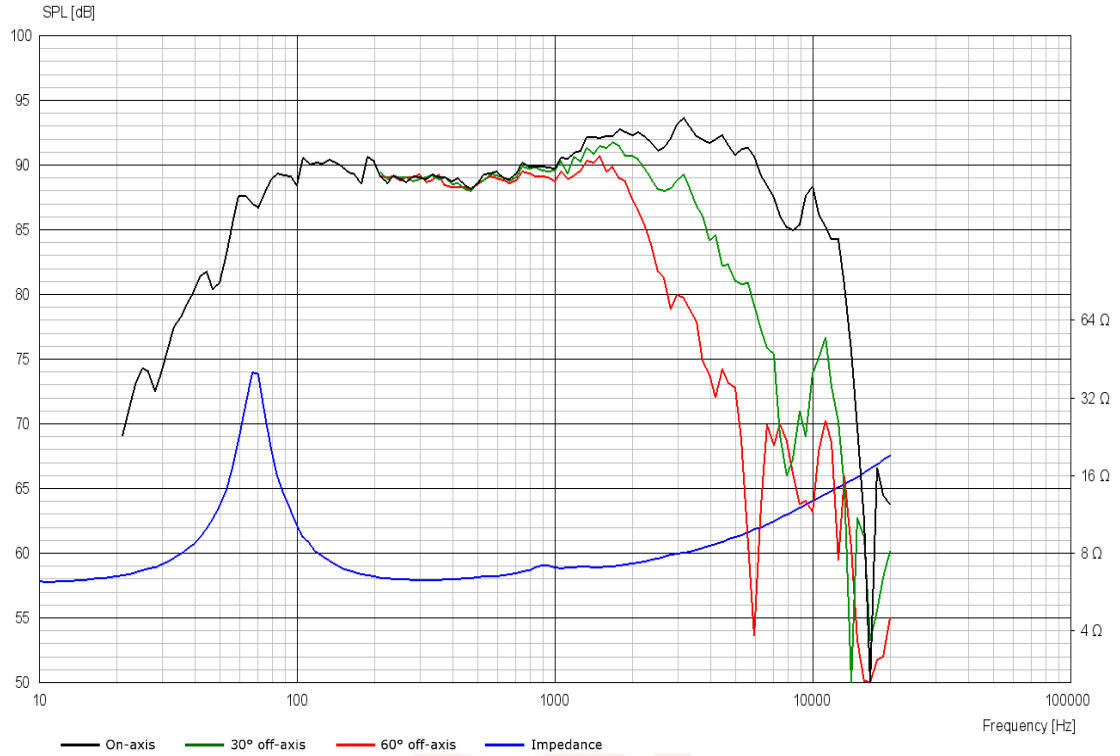




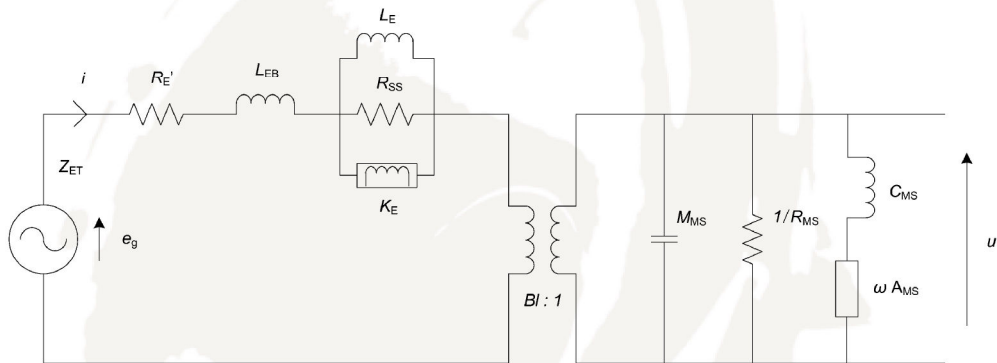
REVELATOR

MIDRANGE

18M/8631T00



Advanced Parameters (Preliminary)



Electrical data

Resistance [$R_{E'}$]	- Ω
Free inductance [L_{EB}]	- mH
Bound inductance [L_E]	- mH
Semi-inductance [K_E]	- SH
Shunt resistance [R_{SS}]	- Ω

Mechanical Data

Force Factor [BI]	- Tm
Moving mass [M_{MS}]	- g
Compliance [C_{MS}]	- mm/N
Mechanical resistance [R_{MS}]	- kg/s
Admittance [A_{MS}]	- mm/N

